

Crush-Grind: Shaftless

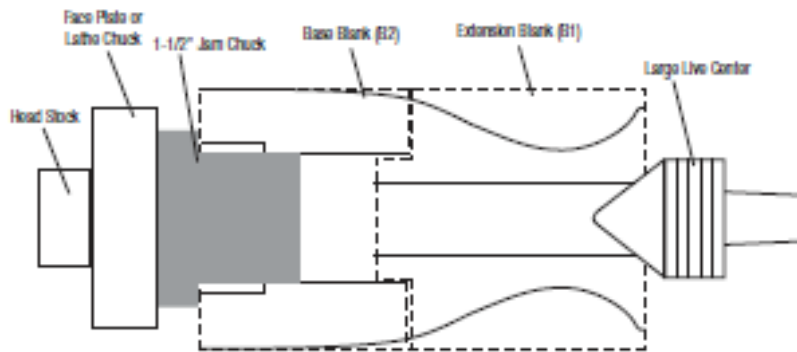
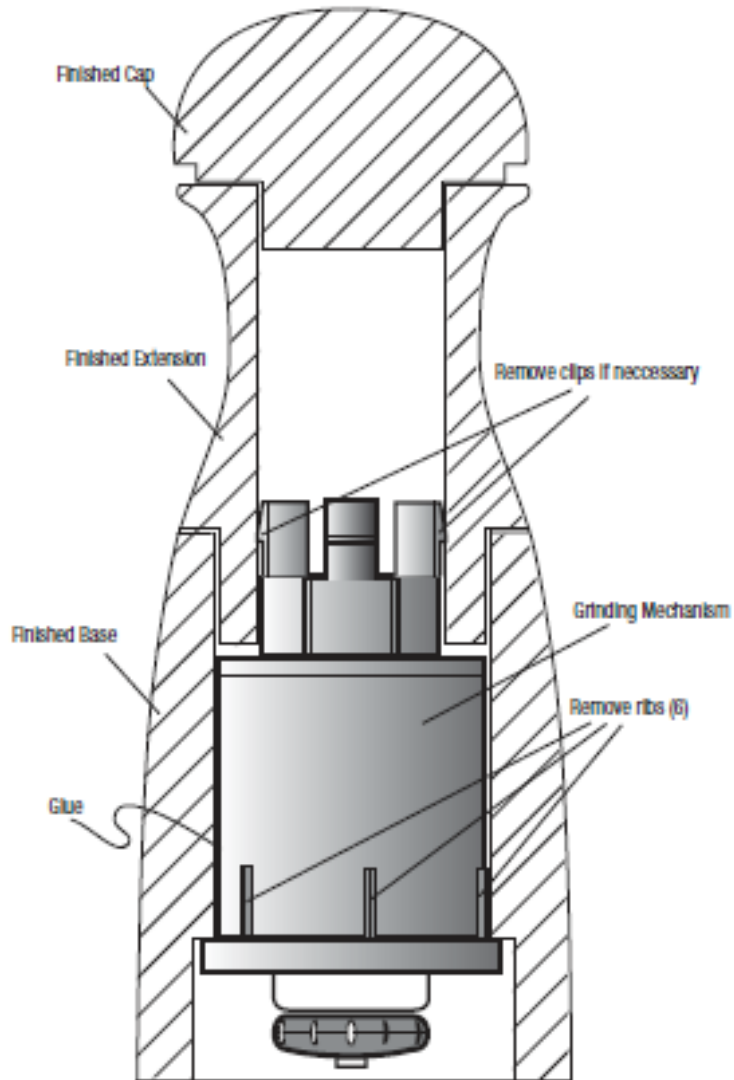


Diagram C - Assembly



Stainless

